



Fittings



Gas Sampling Probes

Heated Sample Lines

Sample Gas Coolers

Condensate Treatment

Accessories

Gas Conditioning Systems

Sample Gas Converters

APPLICATION

- For extractive gas analysis
- For emission and process monitoring
- For safe, reliable and gas tight hose connections
- For hose tube connections
- For connection at a wide variety of devices of the gas analysis technology

BENEFITS

- Strong and gas tight connection
- Easy mounting
- Easy hose connection
- High chemical resistance
- Big variety of different fitting types

FEATURES

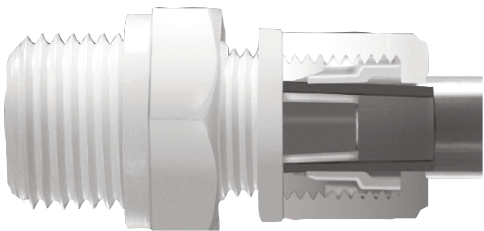
- Different materials: PVDF, PFA or PP
- With a big variety of NPT- or G-threads
- For different hose / tube dimensions
- No hose elongation of more than 6 %
- Hose connection by clamping ring (PVDF, PP) or sealing ring and cutting ring (PFA)
- Easy to maintain design

TECHNICAL DATA

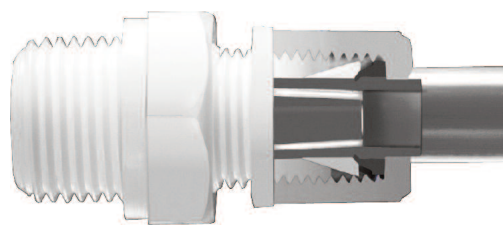
Model	PVDF	PFA	PP
Description	Fittings		
Operation			
Operating temperature	-40°C to +140°C	-200°C to +200°C	+5°C to +90°C
Operating pressure at 20°C	11 bara; decreases with rising temperature		
Hose connections	DN 4/6, 6/8, 8/10, 10/12 mm		
Connection threads	G 1/8", 1/4", 3/8", 1/2" according to DIN ISO NPT 1/8", 1/4", 3/8", 1/2" US		

CONNECTION PRINCIPLES

PP and PVDF with clamping ring

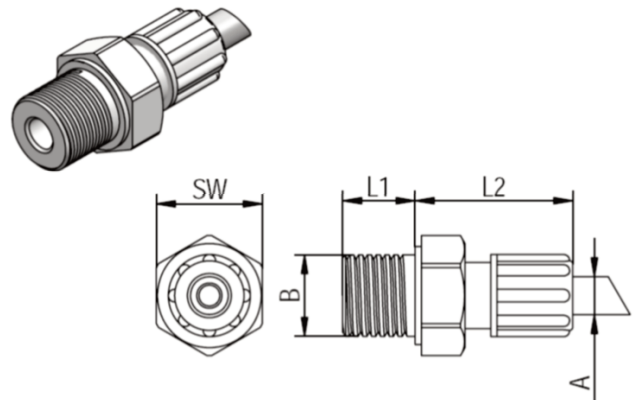


PFA with sealing and cutting ring



MALE CONNECTOR WITH G-THREAD

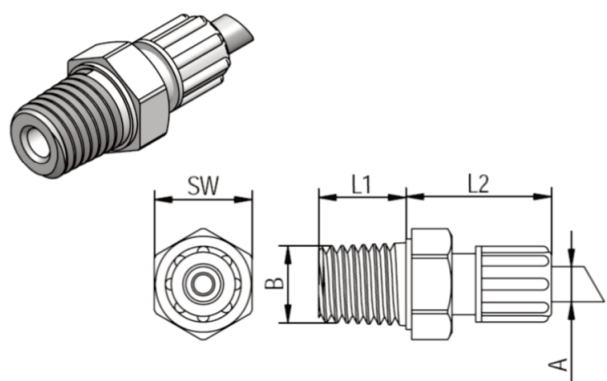
Part No.	A [mm]	B (thread)	L1 [mm]	L2 [mm]	SW [mm]
80.x0205*	DN4/6-	G1/8"-	8	10	14
80.x0210*	DN4/6-	G1/4"-	8	15	17
80.x0215	DN4/6-	G3/8"-	12	15	22
80.x0220	DN4/6-	G1/2"-	14	16	27
80.x0225	DN6/8-	G1/8"-	8	10	19
80.x0230	DN6/8-	G1/4"-	12	15	19
80.x0235	DN6/8-	G3/8"-	12	15	22
80.x0240	DN6/8-	G1/2"-	14	16	27
80.x0265	DN10/12	G1/4"-	12	15	22
80.x0270	DN10/12	G3/8"-	12	20	27
80.x0275	DN10/12	G1/2"-	16	20	32



x = 1 = PVDF with * ex stock / x = 2 = PFA with * ex stock / x = 3 = PP

MALE CONNECTOR WITH NPT-THREAD

Part No.	A [mm]	B (thread)	L1 [mm]	L2 [mm]	SW [mm]
80.x0405	DN4/6-	NPT1/8"-	10	10	12
80.x0410	DN4/6-	NPT1/4"-	15	15	17
80.x0415	DN4/6-	NPT3/8"-	15	15	19
80.x0420	DN4/6-	NPT1/2"-	20	16	24
80.x0425*	DN6/8-	NPT1/8"-	10	10	17
80.x0430*	DN6/8-	NPT1/4"-	15	15	17
80.x0435	DN6/8-	NPT3/8"-	15	15	19
80.x0440	DN6/8-	NPT1/2"-	20	16	24

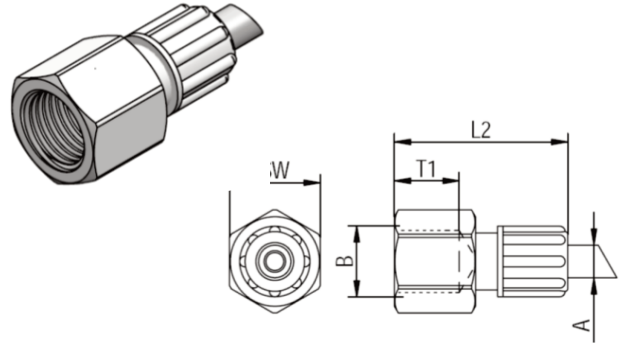


x = 1 = PVDF with * ex stock / x = 2 = PFA / x = 3 = PP

FEMALE CONNECTOR WITH G-THREAD

Part No.	A [mm]	B (thread)	L1 [mm]	L2 [mm]	SW [mm]
80.x0605*	DN4/6-	G1/8"-	11	31	14
80.x0610*	DN4/6-	G1/4"-	16	36	17
80.x0615	DN4/6-	G3/8"-	17	36	22
80.x0620	DN4/6-	G1/2"-	22	38	27
80.x0625*	DN6/8-	G1/8"-	11	35	17
80.x0630*	DN6/8-	G1/4"-	16	40	17
80.x0635	DN6/8-	G3/8"-	17	40	22
80.x0640	DN6/8-	G1/2"-	22	41	27

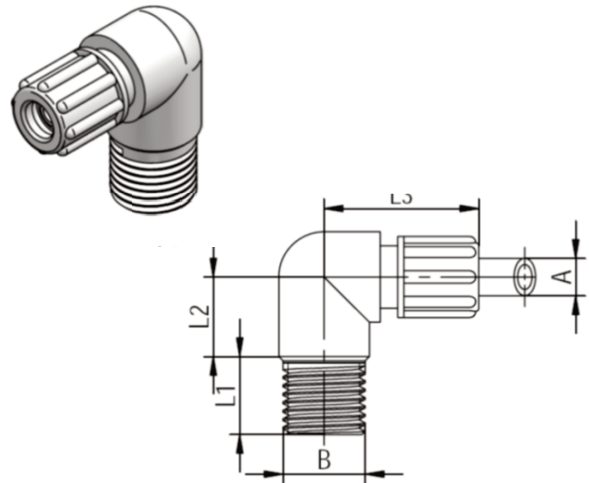
x = 1 = PVDF with * ex stock / x = 2 = PFA with * ex stock



MALE ELBOW CONNECTOR WITH G-THREAD

Part No.	A [mm]	B (thread)	L1 [mm]	L2 [mm]	L3 [mm]
80.x1605*	DN4/6-	G1/8"-	8	12	25
80.x1610*	DN4/6-	G1/4"-	8	15	27
80.x1615	DN4/6-	G3/8"-	12	15	29
80.x1620	DN4/6-	G1/2"-	14	20	32
80.x1625*	DN6/8-	G1/8"-	8	12	30
80.x1630*	DN6/8-	G1/4"-	12	15	30
80.x1635	DN6/8-	G3/8"-	12	15	32
80.x1640	DN6/8-	G1/2"-	14	20	35

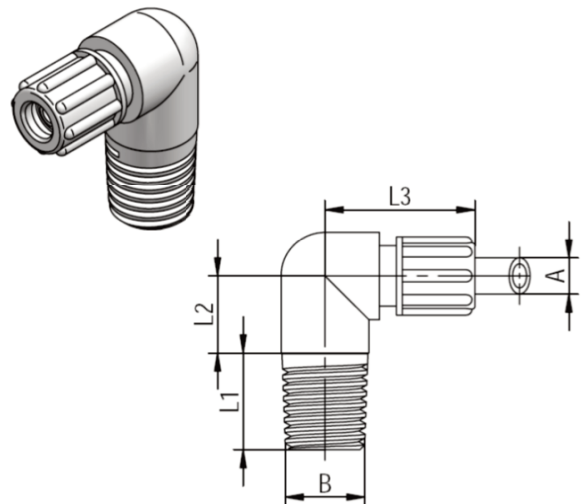
x = 1 = PVDF with * ex stock / x = 2 = PFA with * ex stock / x = 3 = PP



MALE ELBOW CONNECTOR WITH NPT-THREAD

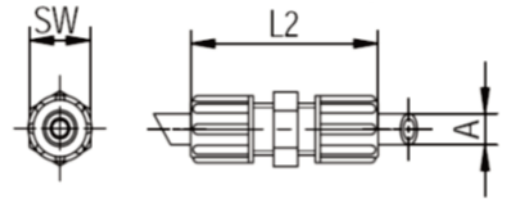
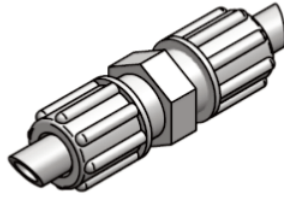
Part No.	A [mm]	B (thread)	L1 [mm]	L2 [mm]	L3 [mm]
80.x1805*	DN4/6-	NPT1/8"-	10	12	25
80.x1810*	DN4/6-	NPT1/4"-	15	15	27
80.x1815	DN4/6-	NPT3/8"-	15	15	29
80.x1820	DN4/6-	NPT1/2"-	20	20	32
80.x1825	DN6/8-	NPT1/8"-	10	12	30
80.x1830	DN6/8-	NPT1/4"-	15	15	30
80.x1835	DN6/8-	NPT3/8"-	15	15	32
80.x1840	DN6/8-	NPT1/2"-	20	20	35

x = 1 = PVDF with * ex stock / x = 2 = PFA with * ex stock



STRAIGHT HOSE CONNECTOR

Part No.	A [mm]	L2 [mm]	SW [mm]
80.x1005	DN4/6-	39	14
80.x1010	DN4/6-	47	19
80.x1015	DN4/6-	53	22
80.x1020	DN4/6-	58	24

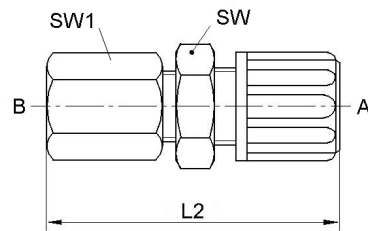


x = 1 = PVDF / x = 2 = PFA / x = 3 = PP

STRAIGHT HOSE / TUBE CONNECTOR

Part No.	A [mm]	B [mm]	L2 [mm]	SW [mm]	SW1 [mm]
80.x1205	DN4/6-	D6-	50	17	17
80.x1210	DN4/6-	D8-	50	17	19
80.x1215	DN4/6-	D10-	54	19	22
80.x1220	DN4/6-	D12-	58	24	24

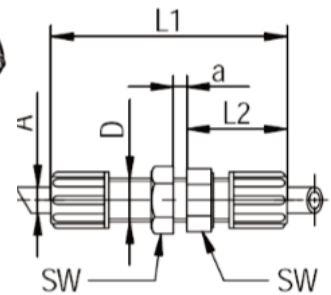
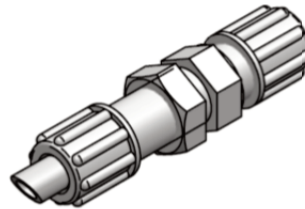
x = 1 = PVDF / x = 3 = PP



BULKHEAD CONNECTOR

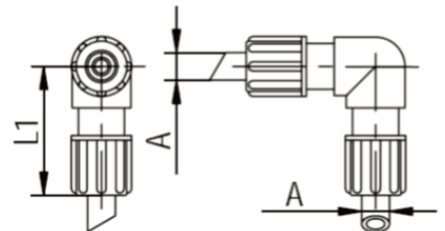
Part No.	A [mm]	D [mm]	L1 [mm]	L2 [mm]	SW [mm]	a
80.x1405*	DN4/6-	10,5	53	31	14	9
80.x1410*	DN6/8-	14,5	62	35	19	10
80.x1415	DN8/10-	16,5	71	40	22	11
80.x1420	DN10/12-	18,5	78	45	24	11

x = 1 = PVDF mit * ab Lager / x = 2 = PFA mit * ab Lager / x = 3 = PP



ELBOW CONNECTOR

Part No.	A [mm]	L1 [mm]
80.x2405*	DN4/6-	53
80.x2410*	DN6/8-	62
80.x2415	DN8/10-	71
80.x2420	DN10/12-	78

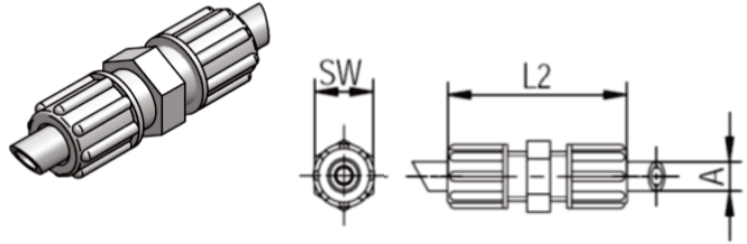


x = 1 = PVDF with * ex stock / x = 2 = PFA with * ex stock / x = 3 = PP

REDUCTION CONNECTOR

Part No.	A [mm]	B [mm]	L2 [mm]	SW
80.x2605	DN6/8-	DN4/6-	45	19
80.x2610	DN8/10-	DN4/6-	48	22
80.x2615	DN10/12-	DN4/6-	53	24
80.x2620	DN8/10-	DN6/8-	52	22
80.x2625	DN10/12-	DN6/8-	57	24

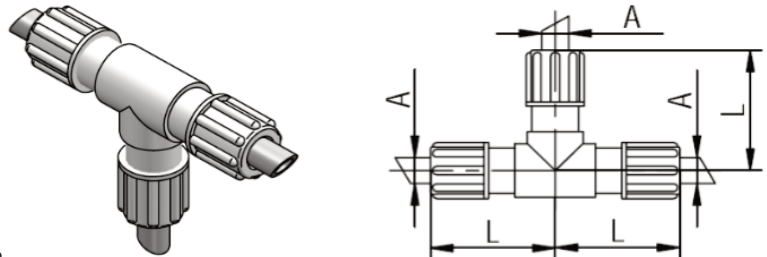
x = 1 = PVDF / x = 2 = PFA / x = 3 = PP



T-CONNECTOR

Art. Nr.	A [mm]	L [mm]
80.x2005*	DN4/6-	25
80.x2010*	DN6/8-	29
80.x2015	DN8/10-	35
80.x2020	DN10/12-	37

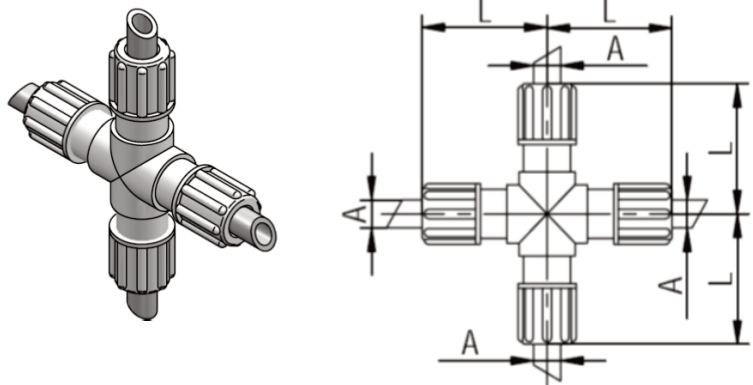
x = 1 = PVDF with * ex stock / x = 2 = PFA with * ex stock / x = 3 = PP



CROSS CONNECTOR

Part No.	A [mm]	L [mm]
80.x2205*	DN4/6-	25
80.x2210*	DN6/8-	29
80.x2215	DN8/10-	35
80.x2220	DN10/12-	37

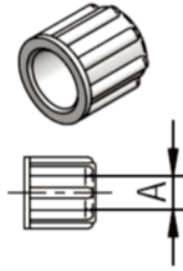
x = 1 = PVDF with * ex stock / x = 3 = PP



SPARE PARTS – KNURLED NUT

Part No.	A [mm]
80.x9005*	D6-
80.x9010*	D8-
80.x9015	D10-
80.x9020	D12-

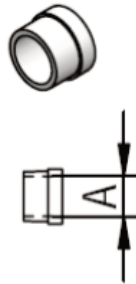
x = 1 = PVDF / x = 2 = PFA / x = 3 = PP



SPARE PARTS – CLAMPING RING FOR PP AND PVDF FITTINGS

Part No.	A [mm]
80.x9105*	D6-
80.x9110*	D8-
80.x9115	D10-
80.x9120	D12-

x = 1 = PVDF / x = 3 = PP



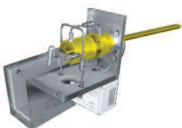
SPARE PARTS – SEALING RING FOR PFA-FITTINGS

Part No.	A [mm]	Material
80.29205	D6-	PTFE
80.29210	D8-	PTFE
80.29215	D10-	PTFE
80.29220	D12-	PTFE

SPARE PARTS – CUTTING RING FOR PFA-FITTINGS

Part No.	A [mm]	Material
80.29305	D6-	PEEK
80.29310	D8-	PEEK
80.29315	D10-	PEEK
80.29320	D12-	PEEK

Gas Sampling Probes



Heated Sample Lines



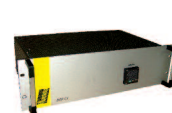
Sample Gas Coolers



Gas Conditioning Systems



NOx Converter



and solutions for

