

ASC 110

SOIL COMPACTOR

EU Stage IIIA, U.S. EPA Tier 3

BRINGING TECHNOLOGY TO THE JOBSITE

The Ammann ASC 110 Soil Compactor thrives on medium to large jobsites such as municipal roads and residential developments. The roller utilises an efficient engine providing optimal compaction through the optional ACE systems. An HX versions of the roller excel on jobsites where high tractive efforts are required.

PRODUCTIVITY

High compaction output

Faster compaction of thicker layers in fewer passes.

No-rear-axle concept

Unique machine design that enables great stability and manoeuvrability.

Customisation

Makes the machine an ideal fit on any jobsite – and for varied customer needs

ERGONOMICS

Operator workplace

Ergonomically friendly operator station designed for high operator comfort throughout the working shift.

Visibility

Excellent all-around machine visibility for safety on the jobsite.

Simple & reliable dashboard

Intuitive machine control, even with an unskilled operator.

SERVICEABILITY

Tiltable cab and engine hood

Great accessibility to all major components for tool-free daily inspection.

Draining points

Ground access to all main draining points.

Maintenance-friendly design

Downtime minimised through easy maintenance processes and robust design of the machine and components.

APPLICATIONS

- Medium and large jobsites
- Transport construction (motorways, railways, airfields)
- Water resources construction (rockfill, dams) and building construction (industrial zones, harbours)

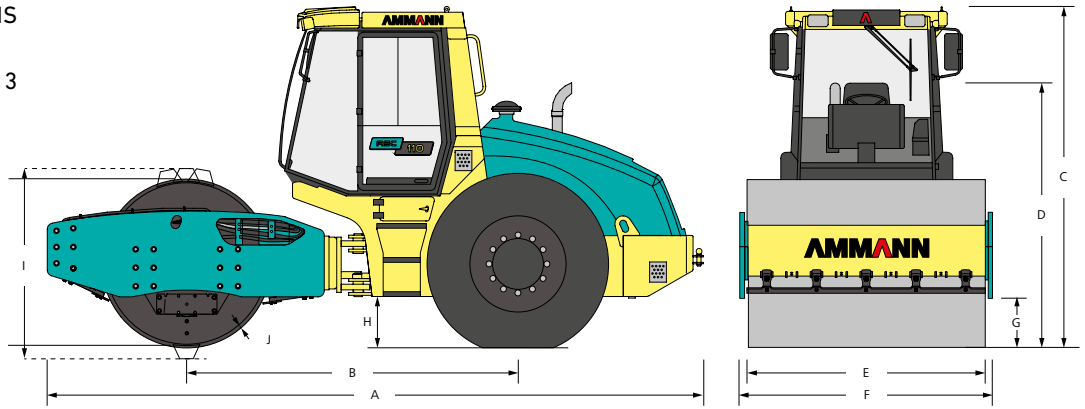
MAXIMUM RECOMMENDED COMPACTED LIFT THICKNESS AT OPTIMAL WORKING CONDITIONS

	Rockfill	Sand / Gravel	Mixed Soils	Silt	Clay
ASC 110	*0.8 m (31 in)	*0.6 m (24 in)	*0.5 m (20 in)	0.4 m (16 in)	0.25 m (10 in)
ASC 110 PD	–	–	*0.5 m (20 in)	*0.4 m (16 in)	*0.3 m (12 in)

*Recommended drum type

AMMANN

TECHNICAL SPECIFICATIONS
ASC 110 SOIL COMPACTOR
EU Stage IIIA, U.S. EPA Tier 3



DIMENSIONS

A	Machine length	5780 mm (227.6 in)
B	Wheelbase	2878 mm (113.4 in)
C	Machine height	3070 mm (120.9 in)
D	Machine height (removed CAB / ROPS)	2400 mm (94.5 in)
E	Drum width	2130 mm (83.9 in)
F	Machine width	2258 mm (88.9 in)
G	Curb clearance	420 mm (16.5 in)
H	Ground clearance	440 mm (17.3 in)
I	Drum diameter	1500 mm (59.1 in) / *1640 mm (64.6 in)
J	Drum shell thickness	25 mm (1 in) / *20 mm (0.8 in)

*PD

COMPACTION FORCES

		PD
Frequency I	32 Hz (1920 VPM)	31 Hz (1860 VPM)
Frequency II	35 Hz (2100 VPM)	35 Hz (2100 VPM)
Amplitude I	0.9 mm (0.035 in)	1.1 mm (0.043 in)
Amplitude II	1.85 mm (0.073 in)	2 mm (0.079 in)
Centrifugal force I	160 kN (35 969 lbf)	220 kN (49 458 lbf)
Centrifugal force II	277 kN (51 032 lbf)	277 kN (51 032 lbf)
Centrif. force ACE min./max.	0 kN / 280 kN (62 946 lbf)	0 kN / 280 kN (62 946 lbf)
Frequency ACE min./max.	23 Hz (1380 VPM) / 35 Hz (2100 VPM)	23 Hz (1380 VPM) / 35 Hz (2100 VPM)
Amplitude ACE min./max.	0 mm (0 in) / 2.5 mm (0.098 in)	0 mm (0 in) / 2.5 mm (0.098 in)

MISCELLANEOUS

Brakes operating	Hydrostatic
Brakes parking	Multiple-disc spring brake
Brakes emergency	Multiple-disc spring brake
Fuel tank capacity	410 l (108.3 gal)
Articulation angle	±36°
Oscillation angle	±10°

ENGINE

Manufacturer	Cummins QSB 4.5-C160
Power according to ISO 3046-1	119 kW (160 HP)
Maximum torque	624/1500 Nm/rpm
Emission class	EU Stage IIIA, U.S. EPA Tier 3

WEIGHT & OPERATING CHARACTERISTICS

		HX	PD	HXPD
Operating weight	11 490 kg (25 330 lb)	12 730 kg (28 060 lb)	12 100 kg (26 680 lb)	13 330 kg (29 390 lb)
Maximum weight	15 370 kg (33 890 lb)	15 410 kg (33 970 lb)	14 280 kg (31 480 lb)	15 510 kg (34 190 lb)
Stat. lin. load of front drum	34.5 kg/cm (193.2 lb/in)	34.7 kg/cm (194.3 lb/in)	-	-
Pad contact surface	-	-	120 cm ² (18.6 sq in)	120 cm ² (18.6 sq in)
Pad height	-	-	100 mm (3.9 in)	100 mm (3.9 in)
Max. transport speed	12.8 km/h (8 MPH)	8.2 km/h (5.1 MPH)	12.8 km/h (8 MPH)	8.6 km/h (5.3 MPH)
Max. working speed	5.6 km/h (3.5 MPH)	3.7 km/h (2.3 MPH)	5.6 km/h (3.5 MPH)	3.8 km/h (2.4 MPH)
Climbing ability	45 %	60 %	45 %	60 %
Turning radius (inner)	3050 mm (120.1 in)	3050 mm (120.1 in)	3050 mm (120.1 in)	3050 mm (120.1 in)

STANDARD EQUIPMENT

- Operator platform with guard rails
- Smooth drum with steel scrapers
- 2 vibration frequencies and amplitudes
- Inter wheel Differential-lock
- Manual tilting of hood/cab/platform
- Working headlights (front and rear)

OPTIONAL EQUIPMENT

- CE conformity
- Cab ventilated and heated (incl. FOPS I)
- ROPS structure
- Air condition for Cab version
- Ammann Traction Control (ATC)
- Padfoot drum or padfoot segments
- HX versions
- ACE (Ammann Compaction Expert)